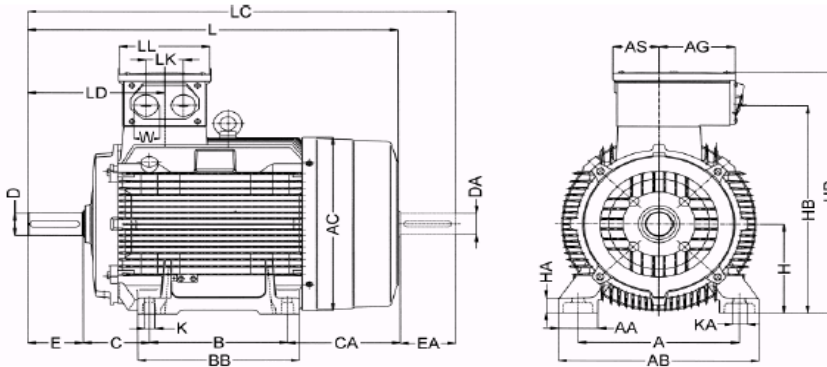


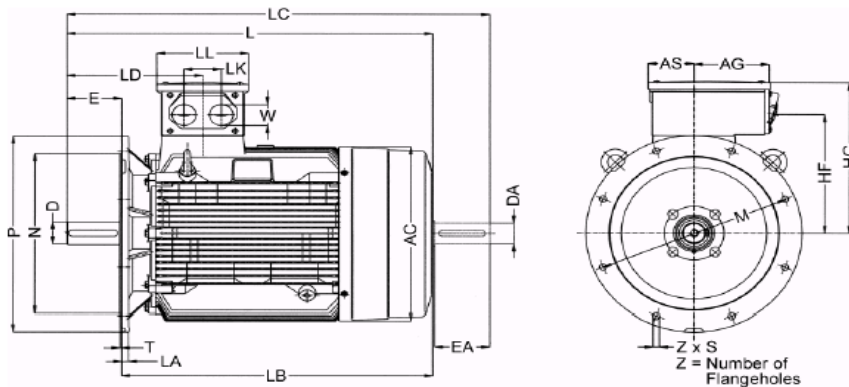
Multiple Dimension Sheet

IM B3 Foot mounted (please mark here and fill out the form at the bottom)



	H	D	E	A	B	L	C	AC	EA	DA	CA	LC	AA	KA
mm														

IM B5 Flange mounted (please mark here and fill out the form at the bottom)



	P	M	N	D	E	S	Z	L	EA	DA	LC		
mm													

Maker	
Serial - No.	
Powerrate kW	
Voltage V (delta)	
Rated current A (delta)	
Frequency Hz	
Kind of protection IP	
Bearing Side A	

E-Motor type	
Type of plant	
Revolution per min.	
Voltage V (Star)	
Rated current A (Star)	
Class of insulation	
Type of construction	
Bearing Side B	

Please mark with a cross:

Brake	Yes	No	Voltage	
PTC - thermistors	Yes	No		
Heater	Yes	No		
with self ventilation		without self ventilation		
terminal box	Yes	No		
Ex proof	Yes	No	Class	